

## On-Premises **45-lb** Stack Premium Tumble Dryer

Our line of stack tumble dryers\* provides double the capacity of Huebsch single-pocket tumble dryers, while using only half the floor space. Plus, you'll still only need one set of gas, electric and exhaust hookups, simplifying installation.



### Efficient

A high-performance heater box and axial airflow pattern with sealed cylinder rims delivers the fastest, most efficient drying results in the industry. This efficiency reduces drying times and helps on-premises laundries increase throughput, while decreasing operating costs.

### Easy to Operate

Fewer moving parts mean fewer maintenance problems and less wear, while large lint compartments are easy to keep clean, saving additional operator time.

### Performance

Available in 30 lb per pocket and 45 lb per pocket capacities, there's a stack tumble dryer to meet the needs of any on-premises laundry.

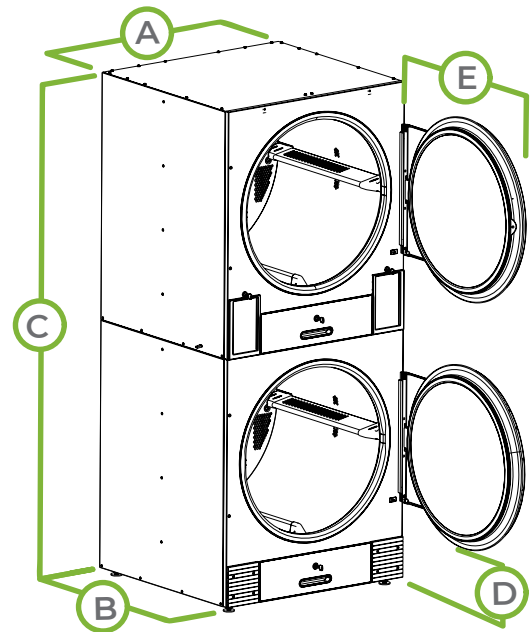


### Galaxy™

The Galaxy control offers the flexibility of 30 programmable cycles combined with the accuracy of our moisture-sensing technology saving time and energy increasing the life of your linens, saving time and energy.

## On-Premises 45-lb Stack Premium Tumble Dryer Specifications

MODEL		HTT45	
CONTROL OPTION		Galaxy	
CAPACITY - lb (kg)		45 (20)	
OVERALL WIDTH - in (mm)		34.5 (875)	
OVERALL DEPTH - in (mm)		48.6 (1235)	
OVERALL HEIGHT - in (mm)		81.3 (2065)	
CYLINDER DIAMETER - in (mm)		33 (838)	
CYLINDER DEPTH - in (mm)		30 (762)	
CYLINDER VOLUME - cu. ft. (liters)		14.8 (420)	
REVERSING CYLINDER		Option	
DOOR OPENING SIZE - in (mm)		22.9 (581)	
ENERGY DATA	Gas Models - Per Pocket	95,000 x 2 Btu/hr	
GAS CONNECTIONS - in (npt)		0.5	
AIR OUTLET - in (mm)		1 x 10 (250)	
MOTOR - hp		2 x 0.5	
AIRFLOW - cfm		2x 600	
ELECTRICAL SPECS - amps	Gas		
	X	200-240V/50/60/1/3	12
	N	440-480V/50/60/3	6
	P	380-415V/50/60/3	6
SHIPPING DIMENSIONS	Width	35.5 (900)	
	Depth	54 (1370)	
	Height	84.9 (2160)	
APPROX. - in (mm)			
NET WEIGHT - lb (kg)		710 (320)	
SHIPPING WEIGHT - lb (kg)		750 (340)	
AGENCY APPROVALS		CSA	



MODEL	HTT45
A. OVERALL WIDTH - in (mm)	34.5 (875)
B. *OVERALL DEPTH - in (mm)	48.6 (1235)
C. OVERALL HEIGHT - in (mm)	81.3 (2065)
D. DOOR BOTTOM TO FLOOR - in (mm)	9.3 (235)
E. DOOR SWING - in (mm)	31.9 (810)

Tumble dryer models are made to suit a variety of electrical service characteristics. See your Huebsch distributor for specifications. For further details on installation, refer to Installation, Operation and Maintenance instructions supplied with the tumble dryer. Amperage ratings available in Installation Manual.

For the most accurate information, the installation guide should be used for all design and construction purposes. Due to continuous product improvements, design and specifications subject to change without notice. The quality management system of Alliance Laundry Systems has been registered to ISO 9001.